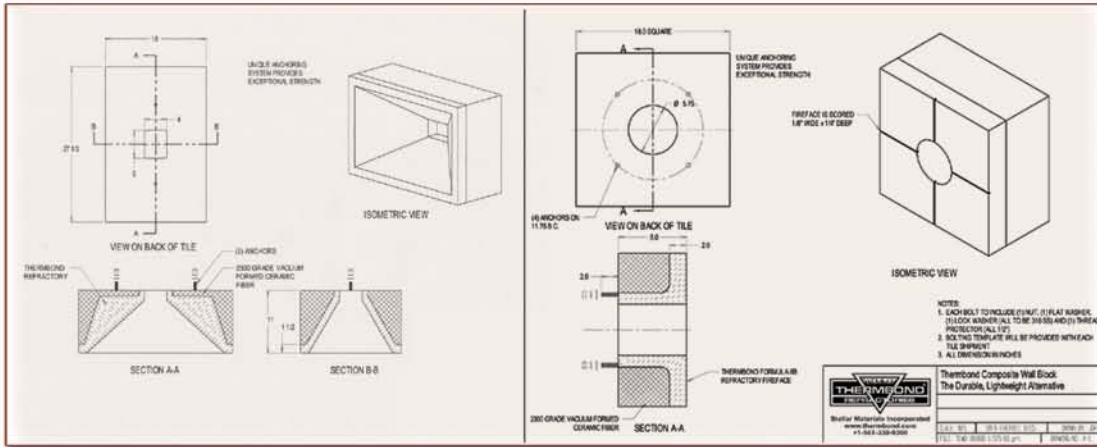




COMPOSITE PRODUCTS CAPABILITIES



Stellar engineers your wall block and peep door surround to your exact specifications.



Stellar insures the highest level of quality control in the manufacturing process.



Thermbond Composite Products deliver superior thermal efficiency, durability and ease of installation.